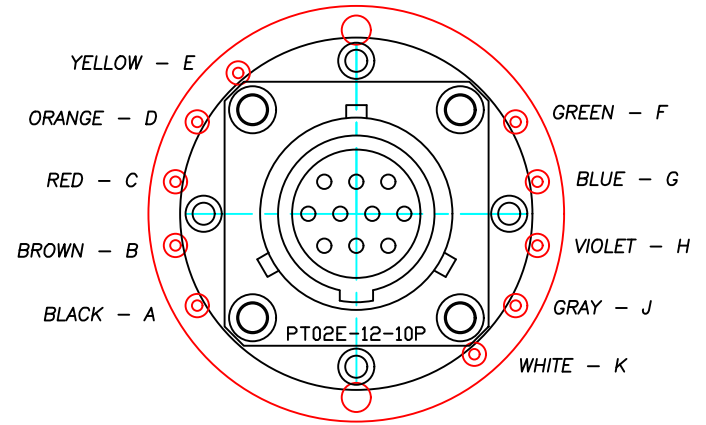
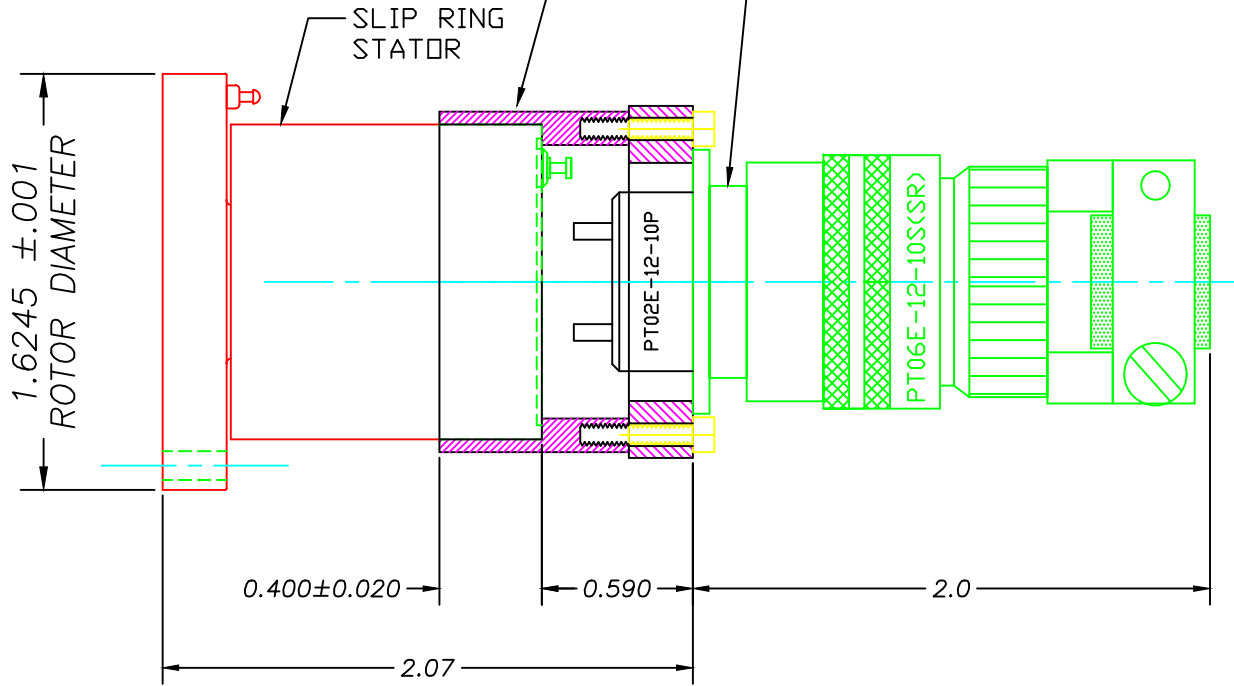


C232122B 2 PART ALUMINUM ADAPTER & PT02E-12-10P CONNECTOR ON S10 SLIP RING



SLIP RING SOLDER TERMINAL COLOR	CONNECTOR PIN
WHITE	K
GRAY	J
VIOLET	H
BLUE	G
GREEN	F
YELLOW	E
ORANGE	D
RED	C
BROWN	B
BLACK	A

THE CONNECTOR ADAPTER IS GLUED ONTO THE SLIP RING STATOR WITH AN ADHESIVE SUCH AS HARDMAN 4002 EPOXY OR A LOCTITE RETAINING COMPOUND.

MICHIGAN SCIENTIFIC CORP
 8500 ANCE ROAD
 CHARLEVOIX, MI 49720
 TEL: 231-547-5511
 FAX: 231-547-7070
 KDL 12-13-22